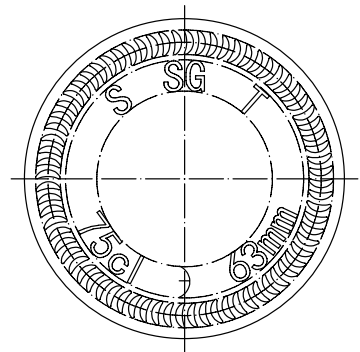
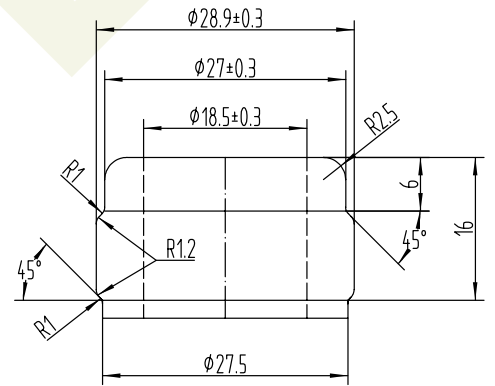
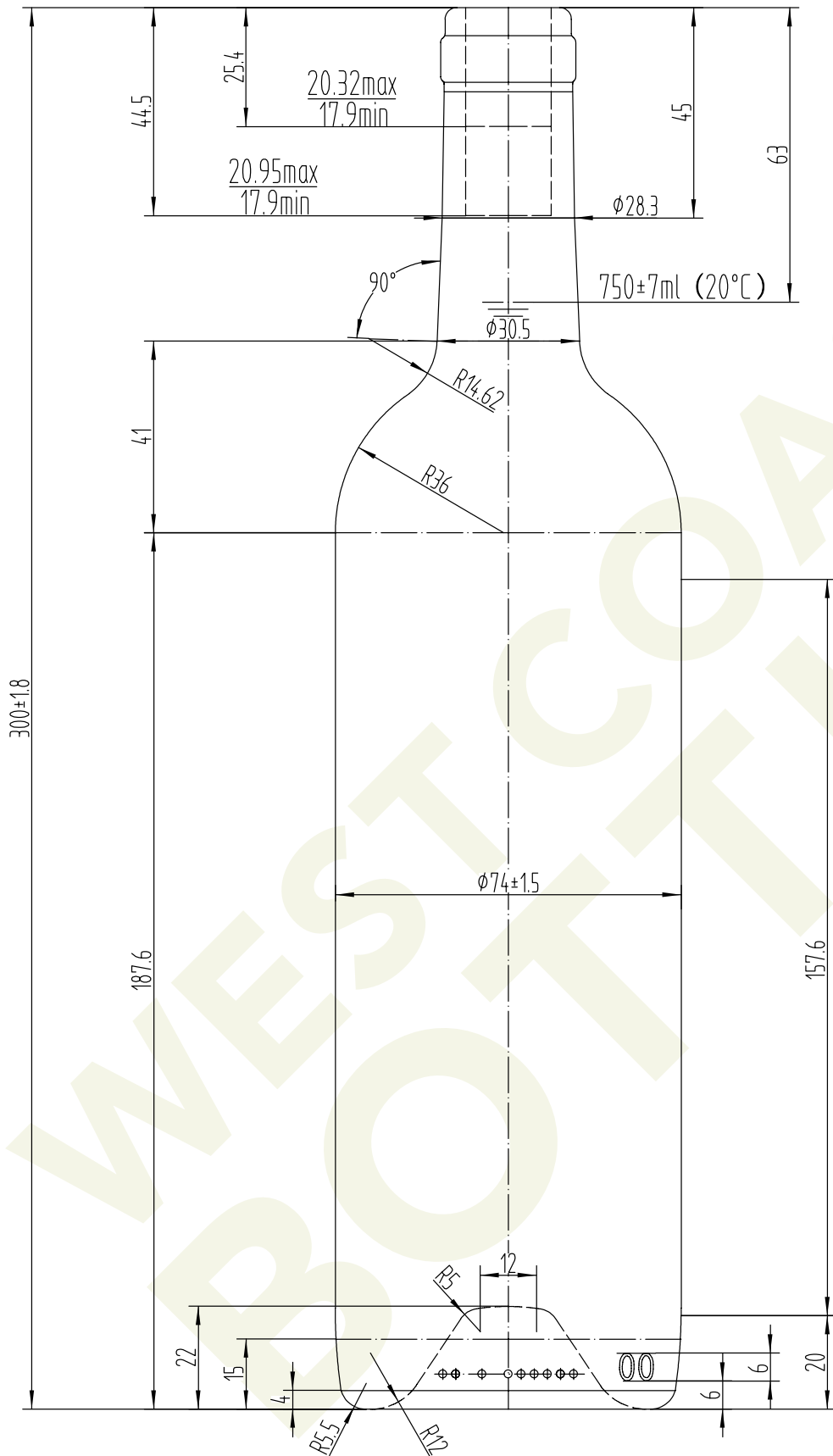




WEST COAST BOTTLES

Number:	1575
Name:	Angelina
Style:	Bordeaux
Capacity:	750 ml
Finish:	Standard Cork
Color:	Antique Green
Height:	300 mm
Weight:	425 g
Diameter:	74 mm
Neck:	28.9 mm

WESTCOASTBOTTLES.COM



PLEASE CONTACT US TO PLACE AN ORDER, REQUEST QUOTES OR TO REQUEST SAMPLES

1-800-282-2028 | SALES@WESTCOASTBOTTLES.COM