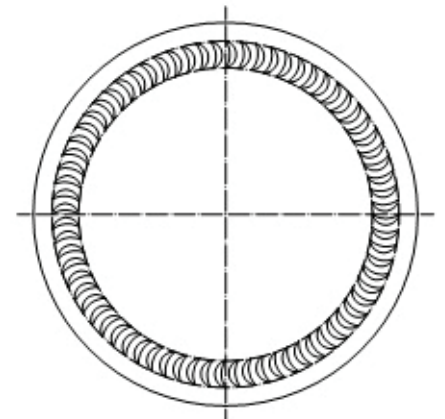
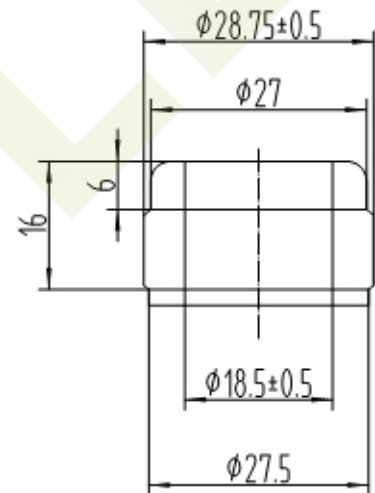
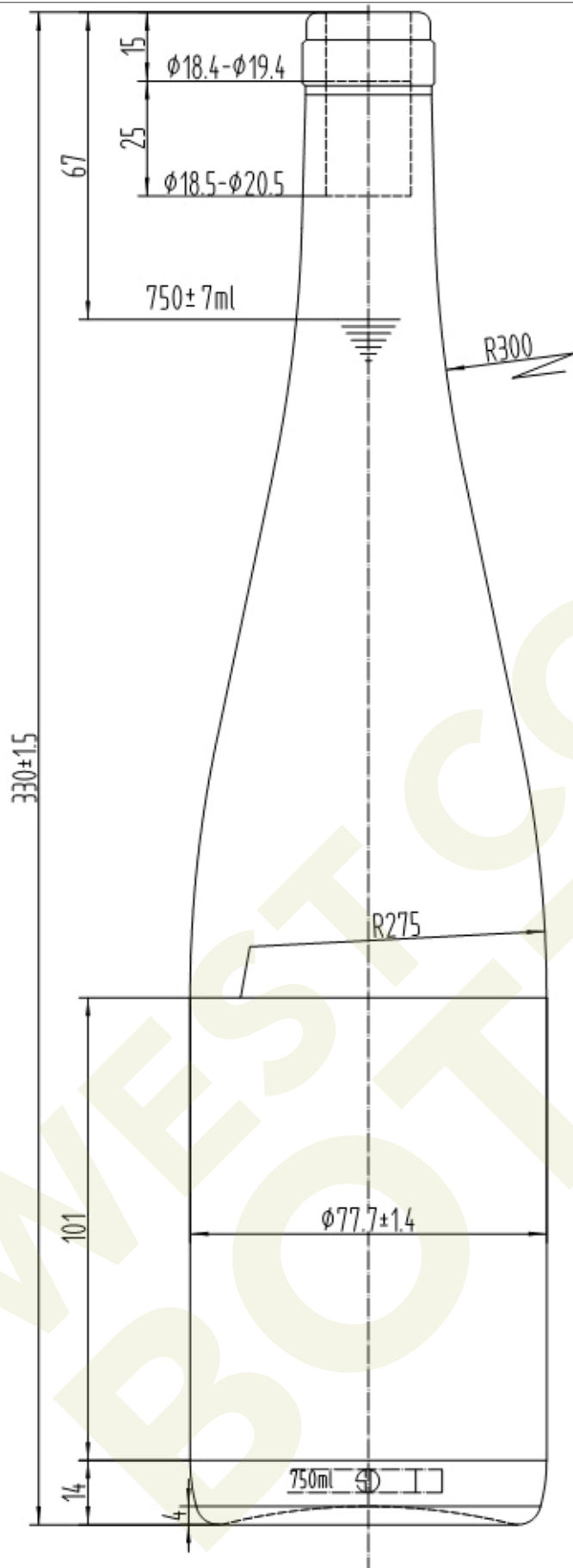




# WEST COAST BOTTLES

|           |               |
|-----------|---------------|
| Number:   | 1011          |
| Name:     | Vittoria      |
| Style:    | Hock          |
| Capacity: | 750 ml        |
| Finish:   | Standard Cork |
| Color:    | Antique Green |
| Height:   | 330 mm        |
| Weight:   | 520 g         |
| Diameter: | 77.7 mm       |
| Neck:     | 28.75 mm      |

[WESTCOASTBOTTLES.COM](http://WESTCOASTBOTTLES.COM)



PLEASE CONTACT US TO PLACE AN ORDER, REQUEST QUOTES OR TO REQUEST SAMPLES

1-800-282-2028 | [SALES@WESTCOASTBOTTLES.COM](mailto:SALES@WESTCOASTBOTTLES.COM)