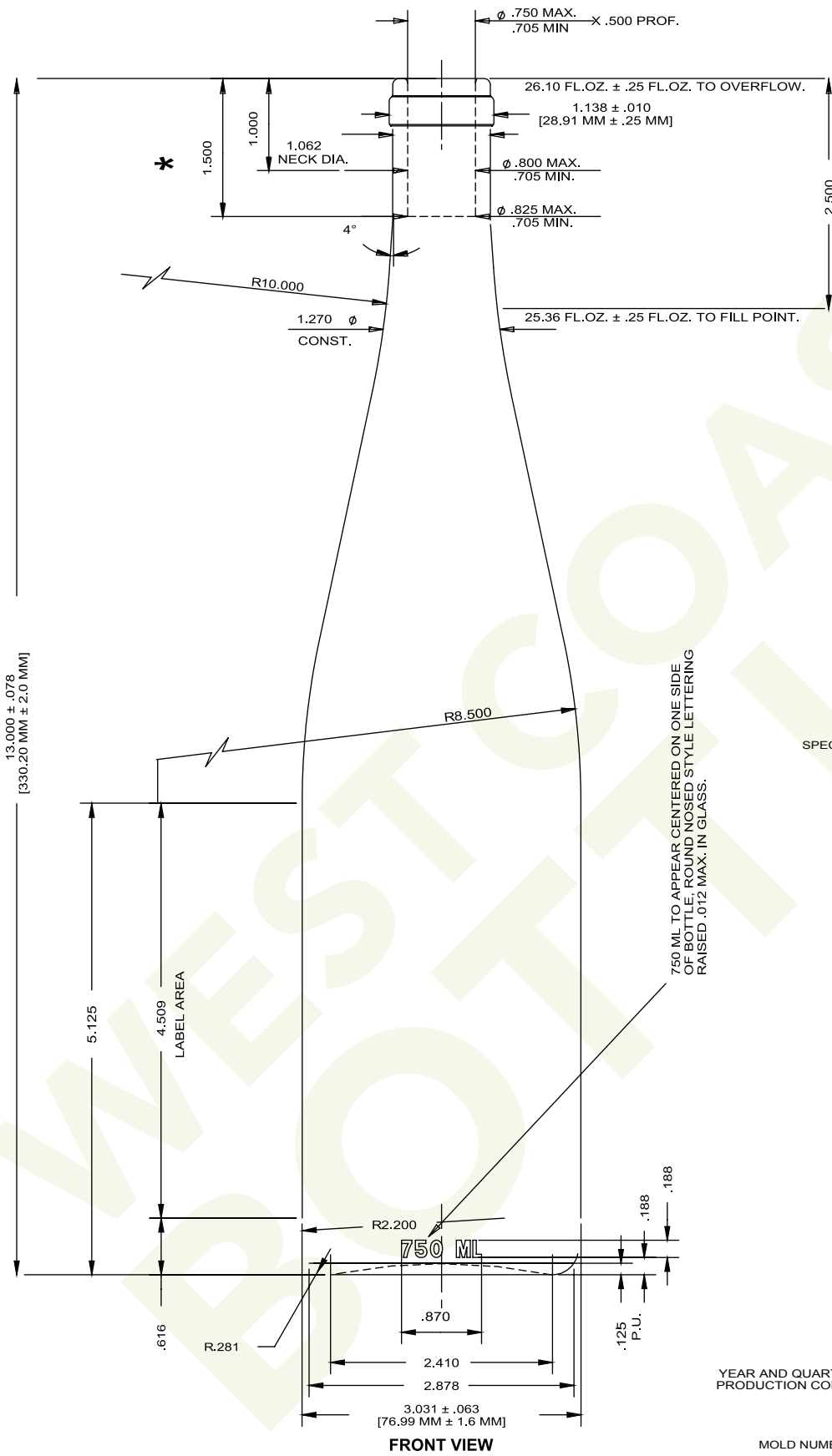




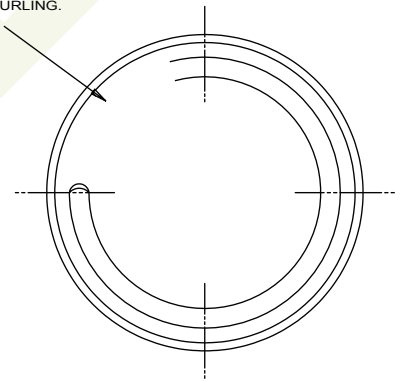
WEST COAST BOTTLES

Number: W13
Name: Martha
Style: Hock
Capacity: 750 ml
Finish: Standard Cork
Color: Flint
Height: 330 mm
Weight: 532 g
Diameter: 77 mm

WESTCOASTBOTTLES.COM

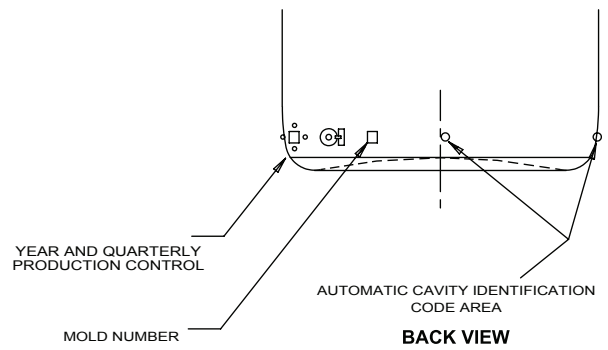


SPECIAL KNURLING.



BOTTOM VIEW

750 ML TO APPEAR CENTERED ON ONE SIDE OF BOTTLE; ROUND NOSED STYLE LETTERING RAISED .012 MAX. IN GLASS.



BACK VIEW

PLEASE CONTACT US TO PLACE AN ORDER, REQUEST QUOTES OR TO REQUEST SAMPLES

1-800-282-2028 | SALES@WESTCOASTBOTTLES.COM