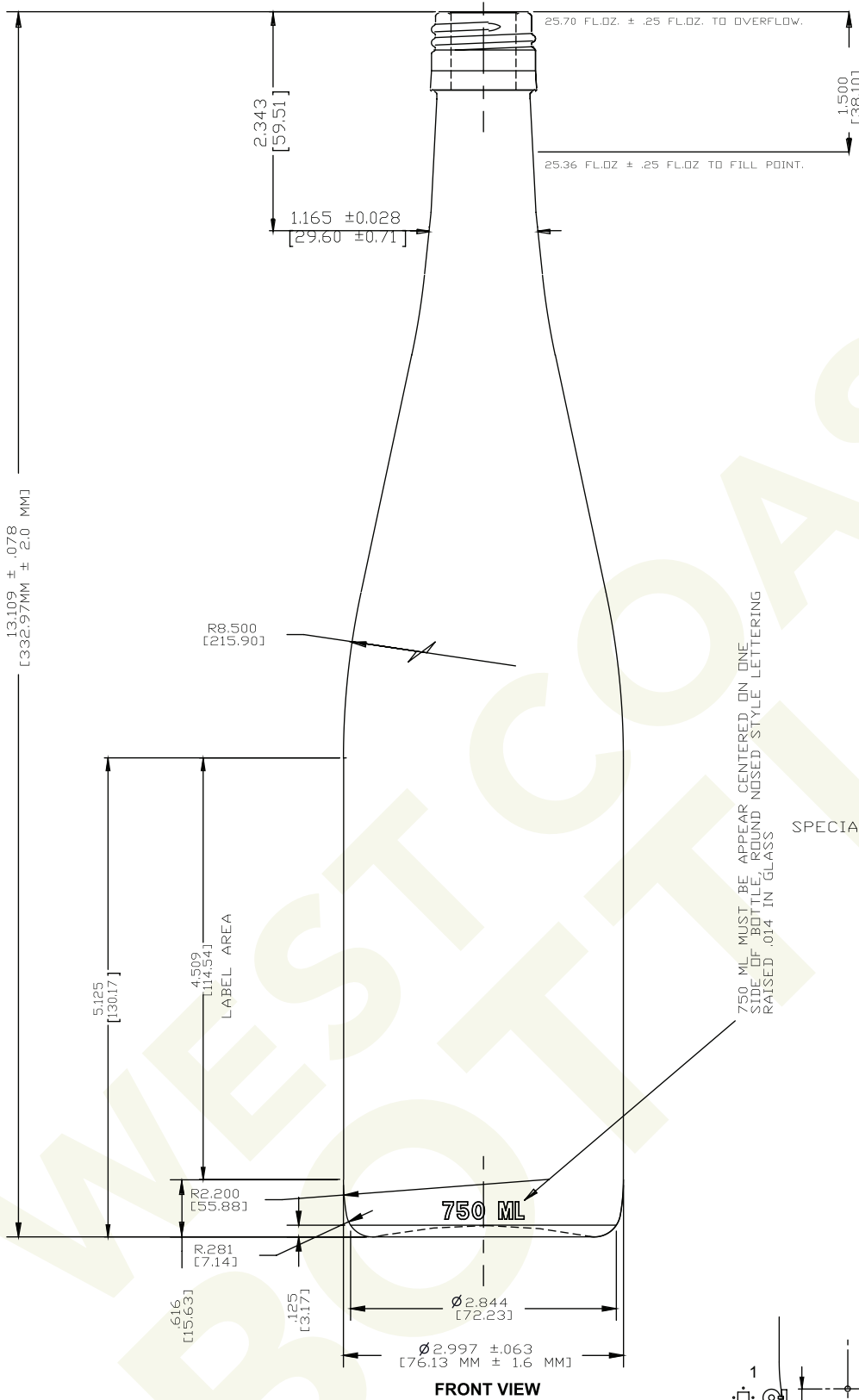




WEST COAST BOTTLES

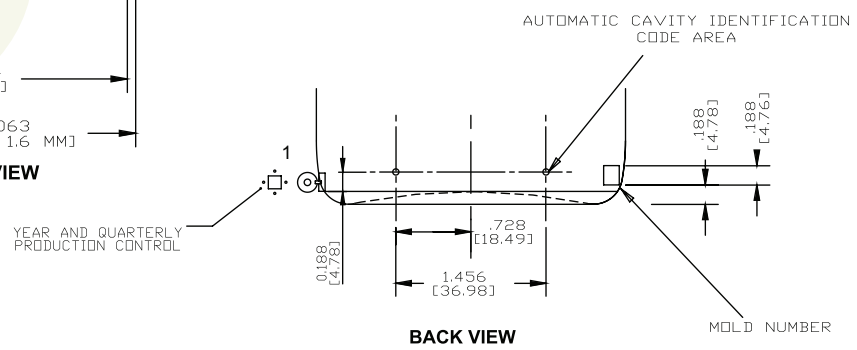
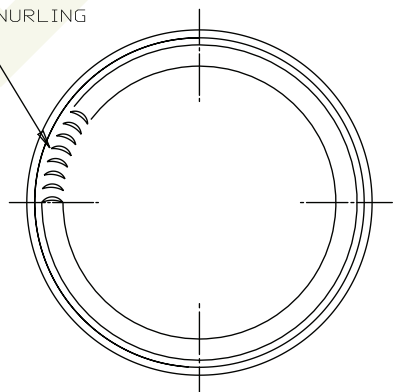
Number: W13
 Name: Martha
 Style: Hock
 Capacity: 750 ml
 Finish: Screw Cap
 Color: Flint
 Height: 332 mm
 Weight: 535 g
 Diameter: 76.13 mm

WESTCOASTBOTTLES.COM



750 ML MUST BE APPEAR CENTERED ON ONE SIDE OF BOTTLE. ROUND NOSED STYLE LETTERING RAISED .014 IN GLASS

SPECIAL KNURLING



PLEASE CONTACT US TO PLACE AN ORDER, REQUEST QUOTES OR TO REQUEST SAMPLES

1-800-282-2028 | SALES@WESTCOASTBOTTLES.COM